

NORDMENDETM

SO202IX
SO202BL

**OPERATING AND INSTALLATION
INSTRUCTIONS OF
BUILT-IN OVEN**



Dear Customer,

We take offering quality products that more than meet your expectations as our goal, offering you products produced in modern factories that have been carefully and extensively tested for quality.

Your manual is prepared in order to help you to use your appliance that is manufactured by the most recent technology, with confidence and maximum efficiency.

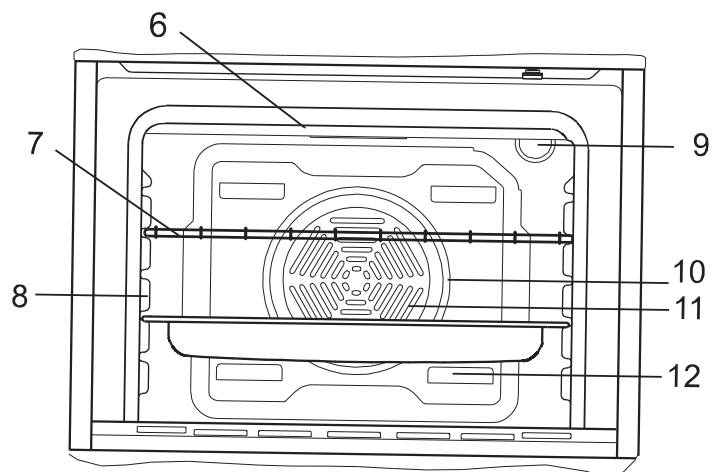
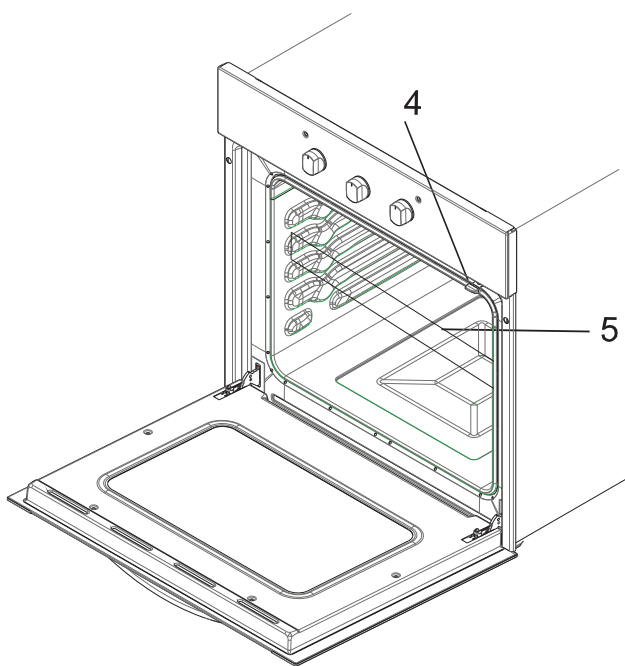
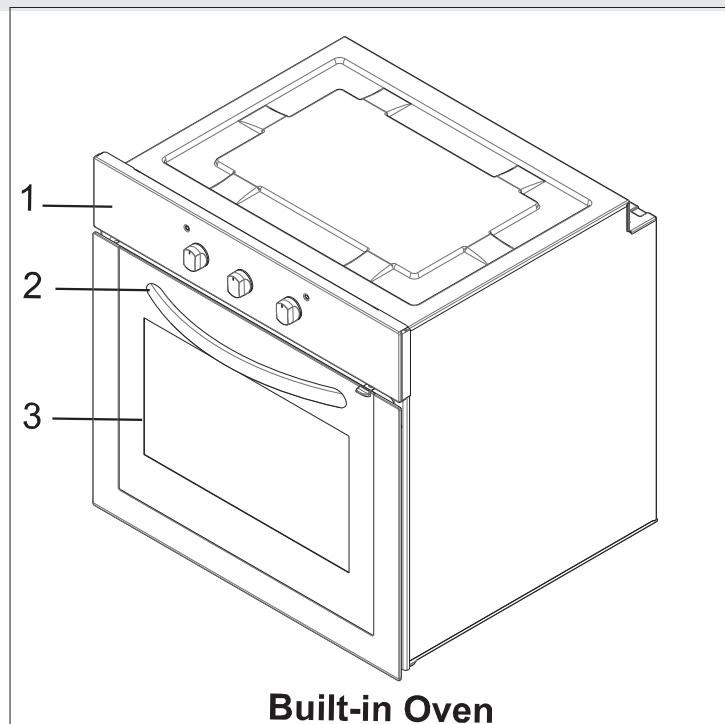
Before use of your appliance, carefully read this guide that includes the basic information for right and safe installation, maintenance and use. Contact to the nearest Authorized Service for mounting of your product.



Contents

- 1-** Presentation and size of product
- 2-** Warnings
- 3-** Preparation for installation and use
- 4-** Using the oven
- 5-** Cleaning and maintenance of your product
- 6-** Service and Transport

PART 1: PRESENTATION AND SIZE OF PRODUCT



LIST OF COMPONENTS :

1- Control panel

2- Handle

3- Oven Door

4- Child Lock

5- Tray

6- Upper Heating Element

7- Wire Grill

8- Racks

9- Oven Light

10- Turbo Heating Element

11- Fan

12- Air Outlet Shutters

PART 2: WARNINGS

BEFORE STARTING TO USE THE APPLIANCE, PLEASE TAKE ALL ESSENTIAL SAFETY MEASURES AND THOROUGHLY READ THE USER MANUAL

- This appliance has been designed for domestic use as built-in furniture.
- After removing the packaging, make sure to check if there is any damage to the appliance. If there is any damage, never attempt to use the appliance and immediately contact your Authorized Service. As packaging materials need to be collected immediately and put out of reach.
- The appliance must be installed and put in operation by an authorised technician under the conditions provided by the manufacturer in this manual. The manufacturer cannot be held responsible for any damage that might occur due to faulty installation.
- Before connecting your appliance to the mains at home, make sure to check the conformity of voltage and gas settings, which are specified on the information sticker attached to the appliance and/or packaging, with the usage conditions available.
- Do not operate the oven before it is fully installed.
- Be sure that all of its buttons are turned off when the appliance is not in use.
- Be sure that the supply cable is not wedged during the installation of the appliance.
- If the supply cord is damaged, it must be replaced by the manufacturer, its service agent or similarly qualified persons in order to avoid a hazard.
- Before replacing the oven illuminating light, turn off the power to the appliance.
- Switch off the appliance before cleaning, maintenance work etc.
- Some parts of the appliance may preserve their heat for a long time; please wait until the parts primarily exposed to heat cool off before touching them.
- Do not keep flammable items/substances near the appliance while it is in use.
- When operating other electrical devices near the appliance, pay attention that their cables do not come into contact with heated parts.
- When the appliance is not in use, make sure that the buttons are in “0” (off) position.
- Your appliance needs sufficient air circulation while it is operating. Carefully read the part of this manual, where installation procedures are explained, and make sure the relevant conditions are satisfied.
- This operating manual has been prepared jointly for multiple models. Some of the specifications explained in the manual, may not be included, in your appliance. Pay attention to the explanations with illustrations while reading the manual.

- During use the appliance becomes hot. Care should be taken to avoid touching heating elements inside the oven.
- **WARNING:** Accessible parts may become hot during use. Young children should be kept away
- This appliance is not intended for use by persons (including children) with reduced physical, sensory or mental capabilities, or lack of experience and knowledge, unless they have been given supervision or instruction concerning use of the appliance by a person responsible for their safety.
- Children should be supervised to ensure that they do not play with the appliance.

FOR THE EFFICIENCY AND SAFETY OF THE APPLIANCE, WE RECOMMEND THAT YOU ALWAYS USE ORIGINAL SPARE PARTS AND CALL ONLY AUTHORIZED SERVICE PERSONNEL SHOULD YOU NEED HELP.

- **Pay attention to the following when using your appliance.**
- Be careful to connect your appliance to an earthed power outlet or line.
- For the models with timers, make sure to adjust the time at first run or in case of a power failure. Heat and moisture will form in your cooking environment. Thoroughly ventilate your kitchen.
- When you first run your oven a certain smell will be emanated arising from the insulation materials and the heater elements. For this reason, before using your oven, run it empty at maximum temperature for 45 minutes. At the same time you need to properly ventilate the environment in which the oven is installed.
- Do not touch the interior and the heater when using the oven part of the appliance as it will be hot. After switching off the heater, do not touch it with your hand before it is completely cooled off.
- Do not put flammable and combustible materials into the oven. Do not place combustibles including any pressured container, paper, plastic and fabric near the hob surface.
- Be careful when using the oven part of the appliance as the oven surface can be hot. Keep children away from the oven.
- While the front door is open, do not let children climb on the door or sit on it.

- The values indicated on the printed documents found on the product are values obtained in laboratory environment according to relevant standards. These values may vary according to the usage and environment conditions of product.
- Caution: The surface temperature exceeds 95 °C. To avoid a hazard, under bench Access must be restricted. Refer to the installation instructions.
- Do not use harsh abrasive cleaners or sharp metal scrapers to clean the oven door glass since they can scratch the surface, which may result in shattering of the glass.
- Do not use steam cleaners for cleaning the oven.
- **WARNING:** Ensure that the appliance is switched off before replacing the lamp to avoid the possibility of electric shock.
- Once the cooking has been completed, the cooling fan continues to operate until the oven has cooled down sufficiently.

Your appliance is produced in conformity with the relevant safety instructions relating to electrical appliances. Maintenance and repair works must be performed only by Authorized Service technicians trained by the manufacturer firm. Installation and repair works, performed without observing the rules may be dangerous.

The outer surfaces is heated while your appliance is operating. The elements heating the inner surface of the oven and the steam out are extremely hot. These sections will continue to preserve their heat for certain while even if the appliance is switched off. Never touch the hot surfaces. Keep children away.

In order to cook in your oven, the oven function and temperature setting buttons need to be adjusted and the oven timer, if available, needs to be programmed. Otherwise, the oven will not operate.

While the oven door is open, do not place anything on it. You may disturb the balance of the appliance or break the door.

Unplug your appliance when it is not in use.

Protect your appliance from atmospheric effects. Do not leave it under the effects of the sun, rain, snow, dust etc.

Do not use this appliance with external timer or separate remote control system.

PART 3: PREPARATION FOR INSTALLATION AND USE

Manufactured with best quality parts and materials, this modern, functional and practical oven will meet your needs in all respects. Make sure to read the manual to obtain successful results and not to experience any problems in the future. The information given below contain rules that are necessary for correct positioning and service operations. They should be read without fail especially by the technician who will position the appliance.

CONTACT THE AUTHORIZED SERVICE FOR INSTALLATION OF YOUR OVEN!

3.1. CHOOSING A PLACE FOR THE OVEN

There are several points to pay attention to when choosing a place for your oven. Make sure to take into account our recommendations below in order to prevent any problems and dangerous situations, which might occur later!

- When choosing a place for the oven, attention should be paid that there are no flammable or combustible materials in the close vicinity, such as curtains, oil, cloth etc. which quickly catch fire.
- Furnitures surrounding the oven must be made of materials resistant to heat more than 50 C° of the room temperature.
- Required changes to wall cabinets and exhaust fans above the built-in combined product as well as minimum heights from the oven board are shown in Figure 1. Accordingly, the exhaust fan should be at a minimum height of 65 cm from the hob board. If there is no exhaust fan the height should not be less than 70 cm.

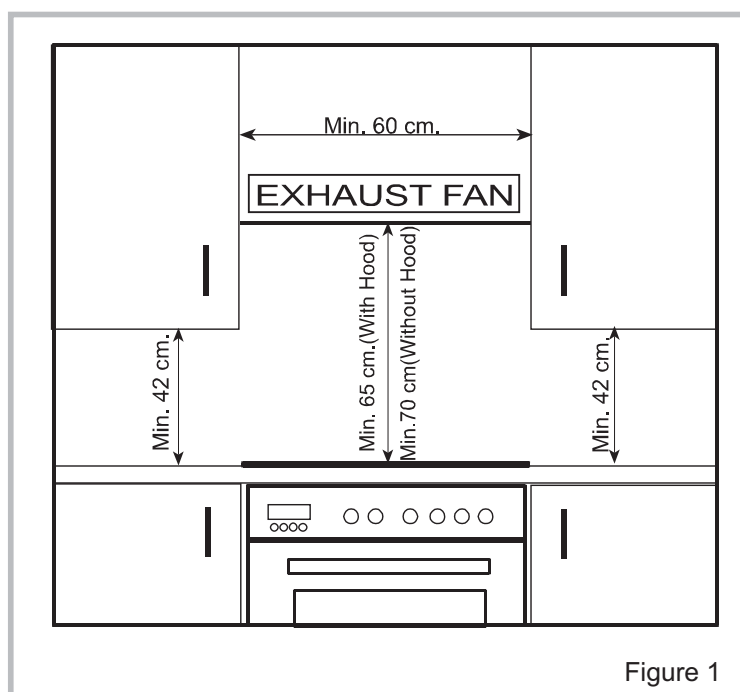
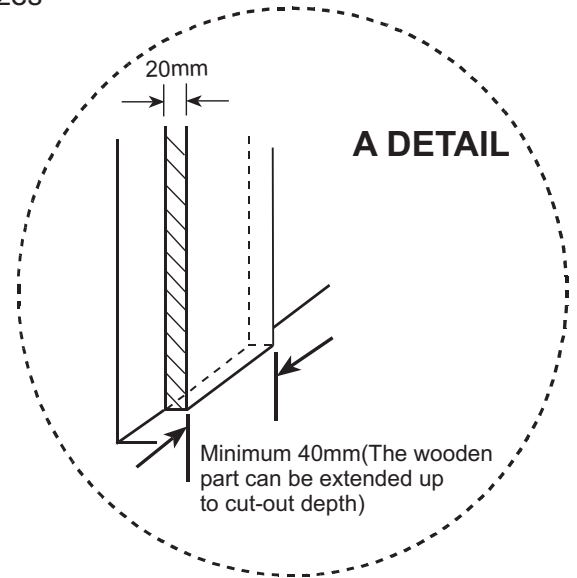
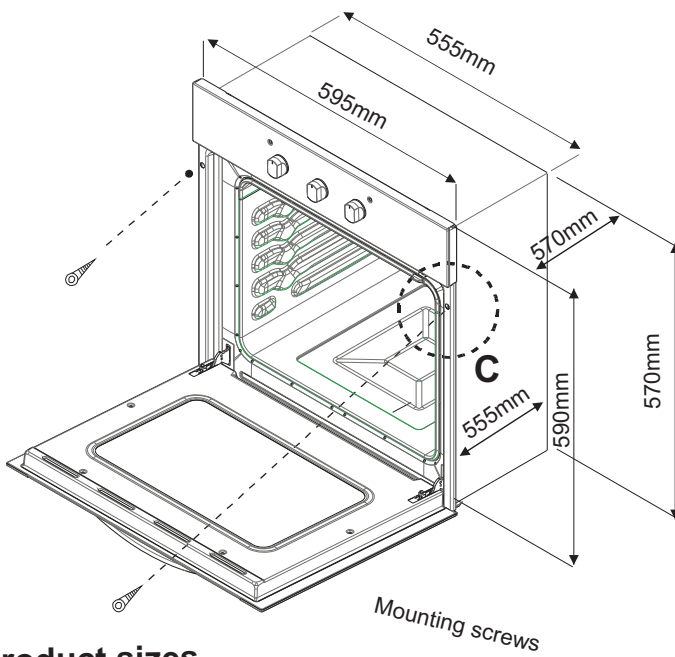
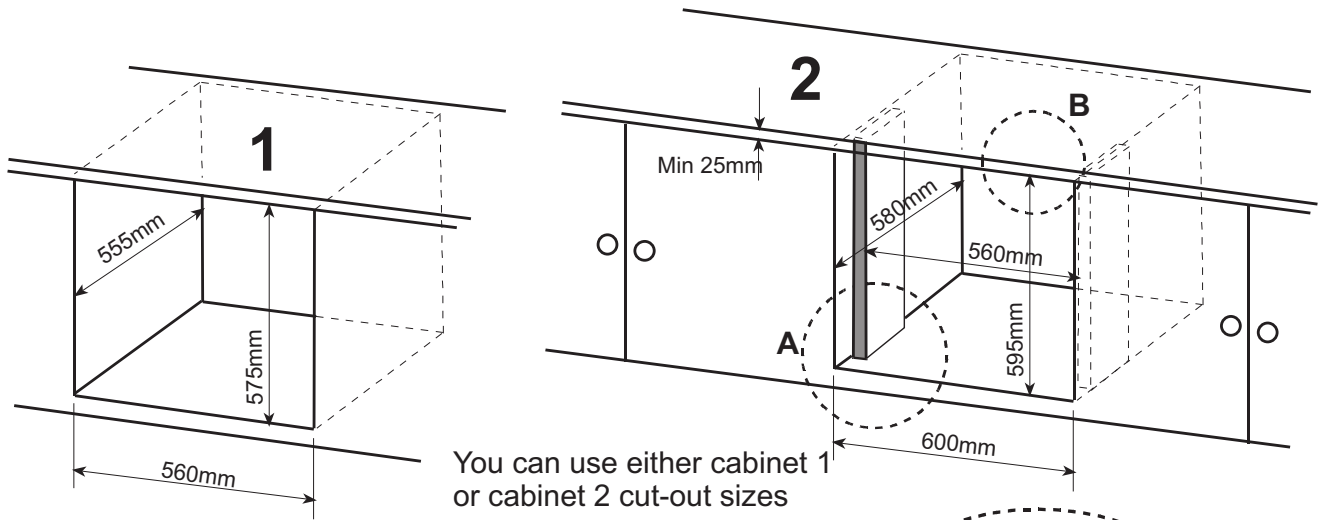


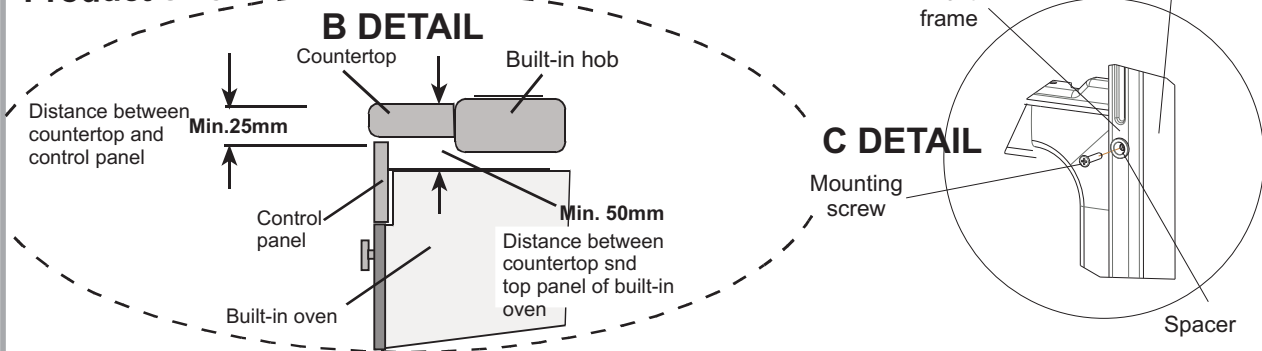
Figure 1

3.2. INSTALLATION OF BUILT-IN OVEN

Cabinet cut-out sizes



Product sizes



Insert the oven into cabinet by pushing it forward. Open the oven door and insert 2 screws in the holes located on the oven frame. While the product frame touches the wooden surface of cabinet, tighten the screws.

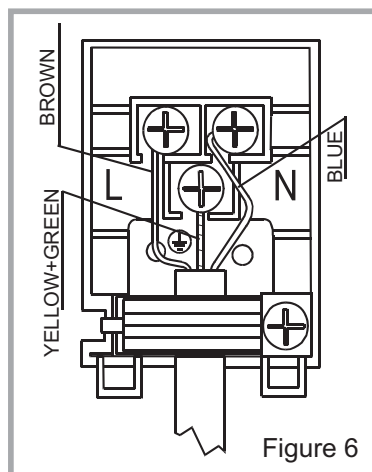
The dimensions and material of the cabinet in which the oven will be installed must be correct and resistant to increases in temperature. In a correct installation, contact with electrical or insulated parts must be prevented. Insulating parts need to be fitted in a way to ensure that they cannot be removed by using any kind of tool. Installing the appliance in the close vicinity of a refrigerator or a deep-freezer is not recommended. Otherwise, the performance of the above-mentioned appliances will be negatively affected due to emanating heat. After removing your oven from its packaging, be sure that the oven is not harmed. In case, you suspect of any damage to the appliance, do not use it; immediately contact Authorized Service.

3.3. WIRING AND SAFETY OF BUILT-IN OVEN

The instructions given below must be followed without fail during wiring :

- The earthing cable must be connected via the screw with the earthing mark. Supply cable connection must be as shown in Figure 6. If there is no earthed outlet conforming to regulations in the installation environment, call the Authorized Service immediately.
- The earthed outlet must be in close vicinity of the appliance. Never use an extension cord.
- The supply cable should not contact the product's hot surface.
- In case of any damage to the supply cable, make sure to call the Authorized Service. The cable must be replaced by the Authorized Service.
- Wiring of the appliance must be performed by the Authorized Service. H05VV-F type supply cable must be used.
- Faulty wiring may damage the appliance. Such a damage will not be covered under the warranty.
- The appliance is designed to connect to 220-240V~ electricity is different than the value given above, call the Authorized Service immediately.

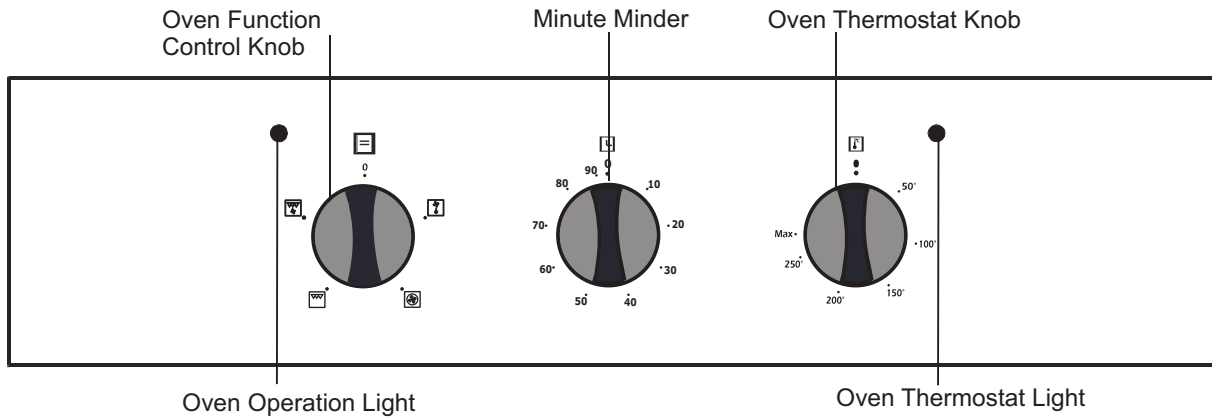
The Manufacturer Firm declares that its bears no responsibility whatsoever for any kind of damage and loss arising from not complying with safety norms!



PART 4: USING THE OVEN

4.1 CONTROL PANEL

Built_in Oven



4.2. USING THE OVEN PART OF THE APPLIANCE

Oven Function Control Knob:

To select the desired cooking function, turn the knob to the related symbol (Figure 11). The details of the oven functions have been explained in Table 1 and next part.

Oven Thermostat Knob:

After cooking function set, desired temperature can be adjusted by oven thermostat knob (Figure 12) and oven start to operate (timer must be adjusted, if available).

Thermostat signal light will be on or off according to thermostat operation.

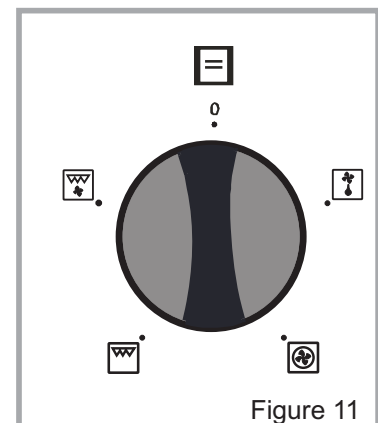


Figure 11

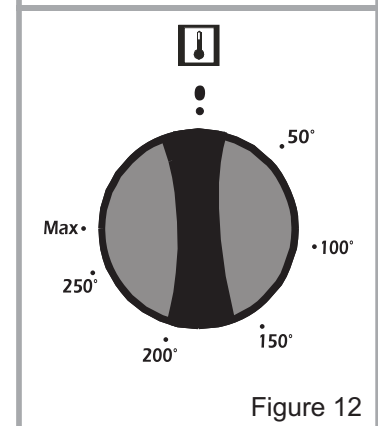






Figure 12

4.3. USING THE OVEN FUNCTION CONTROL BUTTON

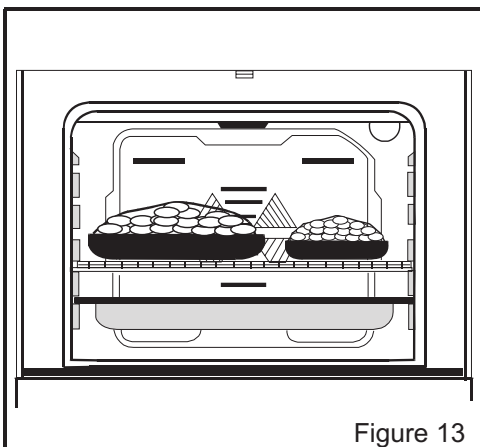
Table 1

	The oven light, the red warning light and the fan will be turned on. Performs the function of defrosting the frozen foods.
	The oven's thermostat and warning lights, the fan and the turbo heater will be switched on.
	The oven's thermostat and warning lights, the grill heater will be switched on.
	The oven's thermostat and warning lights, the upper heating element, the fan will be switched on.

Availability of the functions explained below vary depending on the product model.



Defrost Function :



You can start the defrost operation by putting the frozen food into oven and bringing the knob to the indicated mark. This function does not cook/bake the food; it only helps defrost it within a short time. Put the food to be defrosted on the wire rack that you will place on the third rack support from the bottom (Figure 13). To collect the water to accumulate due to the melting ice, insert an oven tray into the lower rack.



Turbo Fan Function :

The turbo fan function evenly disperses the heat in the oven. All foods on all racks will be cooked evenly.

Adjust the thermostat knob to the desired degree. Turn the function knob so it will point to the Turbo function symbol. After completing the preheating of 10 minutes, place the foods into the oven, which need to be put into suitable containers. This function is suitable for cooking multiple dishes.

If you are going to cook using two trays at the same time; while adjusting the cooking temperature, select the temperature that is the lowest among the levels suitable for your foods, as shown on the table. Cooking with two trays requires additional cooking time compared to cooking with one tray. Usually, the foods on both trays do not finish at the same time. Therefore, take the tray out of the oven, which you observed is finished and continue the cooking operation for the other tray.

After the cooking/baking, turn off the oven function control knob and the thermostat knob and cancel the timer program if available. Take the cooked/baked food out of the oven, place it on a safe place and ensure that the oven completely cools off by keeping the oven door open. **As the oven will be hot, stay away from the oven and keep your children away as well.**



Grill Function :

This function is used for grills. For grills; put the foods on the grill, and the grill on the highest rack. After placing the oven tray on the 2. Rack, You can start the grill operation. The tray placed on the 2. Rack will ensure that the oil dropping from he foods will be collected. **When grilling, the oven door must be closed and the oven temperature should be adjusted to 190°C.**

Turn your oven's thermostat knob so it will point to this temperature value. After a preheating period of 5 minutes, put your food into the oven.

After the cooking, turn off the oven function control knob and the thermostat knob and cancel the timer program. Take the cooked/baked food out of the oven, place it on a safe place and ensure that the oven completely cools off by keeping the oven door open. **As the oven will be hot, stay away from the oven and keep your children away as well.**



Grill, Fan Function :

At this function; ensuring complete frying by working together, the fan, the grill perform the operation. It is also used for faster grills and for grills on a larger surface, For grills; put the foods on the grill, and the grill on the highest rack. After placing the oven tray on the 3. rack, you can start the grill operation. The tray placed on the 2. rack will ensure that the oil dropping from the foods will be collected. **When grilling, the oven door must be closed and the oven temperature should be adjusted to 190°C.**

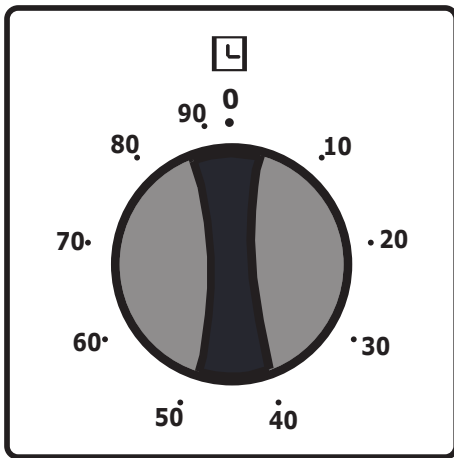
Turn your oven's thermostat knob so it will point to this temperature value. After a preheating period of 5 minutes, put your foods into the oven.

After the cooking, turn off the oven function control knob and the thermostat knob and cancel the timer program. Take the cooked/baked food out of the oven, place it on a safe place and ensure that the oven completely cools off by keeping the oven door open. **As the oven will be hot, stay away from the oven and keep your children away as well.**

ENERGY SAVING

- Oven door should not be opened often during cooking period.

4.4. USING THE MINUTE MINDER



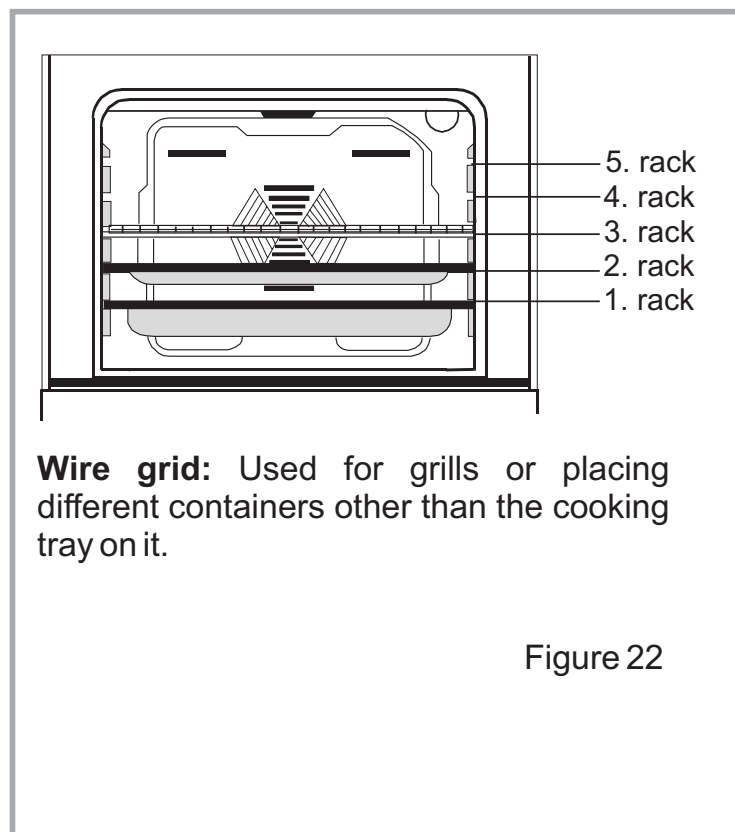
Set the desired cooking time by turning timer button clockwise. At the end of this time period, it will make a beep sound, but the oven continues working. In order to turn the oven off, you must switch off the oven control.

DISHES	TURBO			LOWER-UPPER			LOWER-UPPER FAN			GRILL		
	Thermostat pos.(°C)	Rack pos.	Cooking period(min)	Thermostat pos.(°C)	Rack pos.	Cooking period(min)	Thermostat pos.(°C)	Rack pos.	Cooking period(min)	Thermostat pos.(°C)	Rack pos.	Cooking period(min)
Layered pastry	170 - 190	1-2-3	35 - 45	170 - 190	1-2	35 - 45	170 - 190	1-2	25 - 35			
Cake	150 - 170	1-2-3	30 - 40	170 - 190	1-2	30 - 40	150 - 170	1-2-3	25 - 35			
Cookie	150 - 170	1-2-3	25 - 35	170 - 190	1-2	30 - 40	150 - 170	1-2-3	25 - 35			
Grilled meatballs										200	4	10 - 15
Watery food	175 - 200	2	40 - 50	175 - 200	2	40 - 50	175 - 200	2	40 - 50			
Chicken				200	1-2	45 - 60	200	1-2	45 - 60	200	4	50 - 60
Chop										200	3-4	15 - 25
Beefstake										200	4	15 - 25
Two-tray cake	160 - 180	1-4	30 - 40									
Two-tray pastry	170 - 190	1-4	35 - 45									

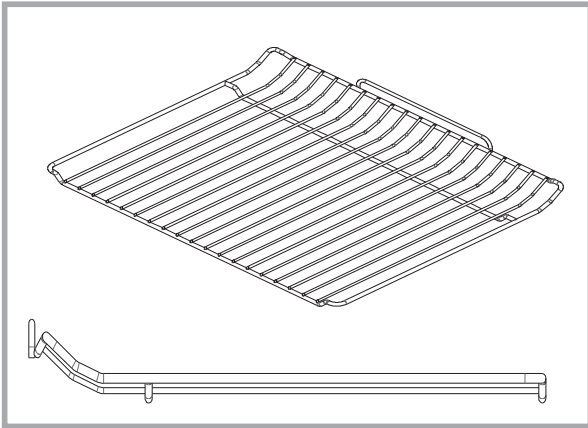
4.5. ACCESSORIES USED IN THE OVEN

It is recommended that you use the containers indicated on the table depending on the food you will cook in your oven, you can also use glass containers, cake cutters, special oven trays suitable for use in your oven, available in the market. Pay attention to the information given by the manufacturer firm concerning this issue. If small sized containers are used, place this container on the inner grill wire so it will be precisely on the middle of the wire. The information given below should be implemented for enamelled containers.

If the food to be cooked does not completely cover the oven tray, if the food is taken out of the deep-freezer or if the tray is used to collect the dripping juices of the foods during the grill operation; deformation might be observed on the tray due to high temperatures forming during the cooking/frying operation. This is normal, physical state that results during the heat transfer. Do not leave a glass tray or container in a cold environment immediately after cooking in them. Do not place them on cold and wet surfaces. Ensure that they slowly cool off placing them on a dry piece of cloth. Otherwise, the glass tray or container might break. If you are going to perform a grill operation in your oven, we recommend that use use the grill on tray, supplied together with your product (if your product includes this equipment). This way, splattering and dripping oils will not make the oven interior dirty. If you are going to use the large wire grill, insert a tray into one of the lower racks to avoid accumulation of the oils. To make cleaning easier, add some water



Pan anti-tilting wire



- To locate grid correctly in the cavity, put it to any rack and push the grid up to the end.
- The pan anti-tilting wire must be placed inside of the cavity.

PART 5: CLEANING AND MAINTENANCE OF YOUR OVEN

5.1. CLEANING

Before starting to clean your oven, be sure that all control buttons are off and your appliance is cooled off. Unplug the appliance.

Do not use cleaning materials containing particles that might scratch the enamelled and painted parts of your oven. Use cream cleaners or liquid cleaners, which do not contain particles. As they might harm the surfaces, do not use caustic creams, abrasive cleaning powders, rough wire wool or hard tools. In the event the excess liquids spilling over your oven should burn, it may cause a damage to the enamel. Immediately clean up the split liquids. Do not use steam cleaners for cleaning the oven.

Cleaning the interior of the oven

Make sure to unplug the oven before starting to clean it. You will obtain best results if you clean the oven interior while the oven is slightly warm. Wipe your oven with a soft piece of cloth dampened with soap water after each use. Then wipe it again, this time with a wetted cloth, and wipe it dry. A complete cleaning using dry and powder type cleaners. For product with catalytic enamel frames, the rear and side walls of the inner frame do not require cleaning. However; depending on usage, it is recommended that you replace them after a certain period of time.

5.2. MAINTENANCE

Replacing the Oven Light

The change of oven lamp must be done by authorized technician. The rating of the bulb should be 230V, 25Watt, Type E14, T300 before changing the lamp, the oven should be plugged off and it should be cool.

The lamp design is specific for the use in household cooking appliances and it is not suitable for household room illumination.

PART 6: SERVICE AND TRANSPORT

6.1. REQUIREMENTS BEFORE CONTAINING TO SERVICE

If the oven does not operate :

The oven may be plugged off, there has been a black out. On models fitted with a timer, time may not be regulated.

If the oven does not heat :

The heat may be not adjusted with oven's heater control switch.

If the interior lighting lamp does not light :

The electricity must be controlled. It must be controlled whether the lamps are defective. If they are defective, you can change them as following the guide.

Cooking (if lower-upper part does not cook equally) :

Control the shelf locations, cooking period and heat values according to the manual.

Except these, if you still have any problem with your product, please call to the "Authorized Service".

6.2. INFORMATION RELATED TO TRANSPORT

If you need any transport :

Keep the original case of product and carry it with its original case when need to be carried. Follow the transport signs on case. Tape the cooker on upper parts, hats and heads and saucepan carriers to the cooking panels.

Place a paper between the upper cover and cooking panel, cover the upper cover, than tape to the side surfaces of oven.

Tape cardboard or paper onto the front cover on interior glass of oven as it will be suitable to the trays, for the wire grill and trays in your oven not damage to the oven's cover during transport. Also tape the oven's covers to the side walls.

If does not have the original case :

Take measure for external surfaces (glass and painted surfaces) of oven against possible blows.



The symbol on the product or on its packaging indicates that this product may not be treated as household waste. Instead it shall be handed over to the applicable collection point for the recycling of electrical and electronic equipment. By ensuring this product is disposed of correctly, you will help prevent potential negative consequences for the environment and human health, which could otherwise be caused by inappropriate waste handling of this product. For more detailed information about recycling of this product, please contact your local city office, your household waste disposal service or the shop where you purchased the product.

NORDMENDETM

SO202IX

SO202BL

Einbaubackofen - Bedienungsanleitung -

-Backofen mit 5 Funktionen



Inhaltsverzeichnis

1.0 Warnhinweise	1
2.0 Erscheinungsbild und Grösse des Produkts	5
3.0 Vorbereitungen für Installation und Gebrauch	6
3.1 Der Richtige Platz für Ihren Ofen	6
3.2 Einbauofen installieren	7
3.3 Verkabelung und Sicherheit Einbaubackofen	8
3.4 Verkabelung und Sicherheit Kombierter Einbaubackofen	9
3.5 Allgemeine Warn- und Sicherheitshinweise	9
4.0 Bedienung	10
4.1 Bedienfeld	10
4.2 Backofen verwenden	11
4.3 Ofenfunktion-Einstellknopf verwenden	13
4.5 Digitalen Timer Verwenden	16
5.0 Reinigung und Wartung Ihres Ofens	21
5.1 Reinigung	21
5.2 Wartung	21
6.0 Service und Transport	23
6.1 Bevor Sie sich an den Kundendienst wenden	23
6.2 Hinweise zum Transport	23

TEIL 1: WARNHINWEISE

Sicherheit

Begriffserklärung

Folgende Signalbegriffe finden Sie in dieser Anleitung:



Gefahr!

Hohes Risiko. Missachtung der Warnung kann Schaden für Leib und Leben verursachen.



Achtung!

Mittleres Risiko. Missachtung der Warnung kann einen Sachschaden verursachen.

Wichtig!

Geringes Risiko. Sachverhalte, die im Umgang mit dem Gerät beachtet werden sollten.

Sicherheitshinweise



Dieses Gerät muss durch einen Fachmann installiert werden.

Erstickungsgefahr für Kinder!



Sorgen Sie dafür, dass die Verpackungsfolie nicht zur tödlichen Falle für Kinder wird.

Halten Sie das Montagematerial von Kindern fern. Sie könnten es verschlucken!



Stromschlag- / Brandgefahr!

Nehmen Sie den Herd nicht in Betrieb, wenn er sichtbare Schäden aufweist. Sollten Sie einen Transportschaden oder andere sichtbare Schäden feststellen, benachrichtigen Sie bitte sofort unseren Kundendienst (*unbedingt Name, Adresse und Telefonnummer angeben; Anm. d. Prüfers*).

Der Herd darf nur durch autorisierte Fachkräfte angeschlossen werden. Das gilt auch für das Trennen vom Stromnetz und den Ausbau des Altgerätes. Nicht autorisierte Personen dürfen den Netzanschluss nicht vornehmen. Sie können sich und andere Benutzer in Lebensgefahr bringen!

Da das Gerät nicht über eine zugängliche Trennvorrichtung allpolig vom Netz getrennt werden kann, muss eine allpolige Trennvorrichtung gemäß Überspannungskategorie III in der Hausinstallation mit mindestens 3 mm Kontaktabstand vorgeschaltet sein; hierzu zählen Sicherungen, LS-Schalter und Schütze.

Schalten Sie vor dem Anschluss des Herds den betreffenden Stromkreis aus bzw. drehen Sie die betroffenen Sicherungen heraus.

Stellen Sie sicher, dass das Netzkabel bei der Montage Ihres Gerätes nicht beschädigt wird.

Sollte das Netzkabel beschädigt sein, darf es in keinem Fall selbst gewechselt werden. Wenn das Kabel aus irgendeinem Grund beschädigt ist, wenden Sie sich an einen qualifizierten Kundendienst.

Die Instandsetzung des Herds darf ebenfalls nur von einem autorisierten Fachbetrieb vorgenommen werden. Dabei dürfen nur Teile verwendet werden, die den ursprünglichen Gerätedaten entsprechen. In diesem Gerät befinden sich elektrische und mechanische Teile, die zum Schutz gegen Gefahrenquellen unerlässlich sind.

Vor dem Auswechseln der Backofen-Beleuchtung zunächst Herd ausschalten, dann die Herd-Sicherung ausschalten bzw. herausschrauben. Glühlampe erst auswechseln, wenn der Backofen nicht mehr heiß ist.

Öffnen Sie niemals das Gehäuse.



Stromschlaggefahr!

Bei Rissen im Glaskeramikfeld auf keinen Fall weiterkochen! Wasser, das durch Risse ins Innere des Glaskeramikfelds läuft, kann unter Spannung stehen! Wenn Ihr Glaskeramikfeld Risse aufweist, trennen Sie das Kochfeld vom Stromnetz (Sicherheit), und rufen Sie unseren Kundendienst an.



Gefahren für Kinder und Personen mit eingeschränkten physischen, sensorischen oder geistigen Fähigkeiten!

Dieses Gerät ist nicht dafür bestimmt, durch Personen (einschließlich Kinder) mit eingeschränkten physischen, sensorischen oder geistigen Fähigkeiten oder mangels Erfahrung und/oder mangels Wissen benutzt zu werden, es sei denn, sie werden durch eine für ihre Sicherheit zuständige Person beaufsichtigt oder erhalten von ihr Anweisungen, wie das Gerät zu benutzen ist.

Lassen Sie Kinder nicht unbeaufsichtigt in die Nähe des Geräts, egal, ob es ein- oder ausgeschaltet ist.




Verbrühungsgefahr!

Heißes Wasser aus dem Backofen unbedingt abkühlen lassen, bevor Sie es ausgießen.



Verbrennungsgefahr!

Die Kochzonen heizen sich im Betrieb stark auf – auch nach dem Ausschalten sind die Kochzonen noch heiß; dies wird durch die Restwärmeanzeige  14 angezeigt. Vorsicht: Bei einer Stromunterbrechung erlischt die Restwärmeanzeige und zeigt eventuell vorhandene Restwärme nicht weiter an!

Der Backofen, insbesondere die Backofentür, Heizkörper, Wände, Backbleche usw.

werden beim Betrieb sehr heiß – vermeiden Sie direkte Berührung. Backofen beim Grillen u.Ä. nicht ohne Aufsicht lassen! Kinder fernhalten!

Aus dem Wrasenabzug strömt beim Backofenbetrieb heißer Dampf. Vorsicht beim Öffnen des heißen Backofens!

Gießen Sie Wasser nie direkt in den heißen Backofen. Verwenden Sie auch kein Dampfstrahlgerät oder Ähnliches. Durch den entstehenden Wasserdampf besteht Verbrühungsgefahr und die Emaille kann beschädigt werden.

Vor dem Reinigen Backofen vollständig abkühlen lassen. Heiße Heizkörper!



Brandgefahr!

Bei der Inbetriebnahme des Gerätes dürfen sich keine brennbaren Materialien in der Nähe befinden.

Stellen Sie keine brennbaren und entzündlichen Stoffe auf die Kochfläche oder in den Backofen.

Achten Sie darauf, dass Leitungen anderer Elektrogeräte, die sich in der Nähe des Herdes befinden, mit den beheizten Bereichen des Gerätes nicht in Berührung kommen.

Braten oder Kuchen im Backofen nicht mit Papier abdecken.

Gargut, Backpapier und -folien nicht mit den Heizkörpern in Berührung kommen lassen.

Wenn Sie Speisen in Öl, in Fett oder mit Alkohol zubereiten, lassen Sie den Herd nicht ohne Aufsicht! Die Speisen können sich selbst entzünden.

Bei Feuer im Backofen: Tür nicht öffnen!

Bei Feuer im Kochgeschirr: Sofort Deckel darauf!

Brennendes Öl oder Fett nie mit Wasser löschen!

Drehen Sie sofort alle Schalter auf Null. Schalten Sie den Sicherungsautomaten aus / drehen Sie die Sicherungen heraus. Lassen Sie nach Erlöschen des Feuers das Gerät durch unseren Kundendienst überprüfen.



Gesundheitsgefahr!

Fleisch und Fisch nicht im Backofen auftauen!

Das Auftauen mit Heißluft oder bei Raumtemperatur kann zu einem sprunghaften Anstieg von gefährlichen Mikroorganismen wie Salmonellen führen. Besser rechtzeitig aus dem Gefrierfach nehmen und abgedeckt im Kühlschrank auftauen lassen; Auftauflüssigkeit muss abfließen können.



Achtung!

Soll der Herd mit einer Transportkarre gefahren werden, muss er so angehoben werden, wie es auf der Verpackung gezeigt ist.

Heben Sie den Herd nicht am Türgriff an! Dieser ist nicht dafür gedacht, das hohe Gewicht des Herds zu tragen.

Die Tür ist schwer und hat eine Glasfront. Nicht fallen lassen!

Die Kochplatten/-zonen können beschädigt werden, wenn sie ohne Kochgeschirr oder mit leerem bzw. falschem Kochgeschirr betrieben werden.

Auch kleine Gegenstände können große Auswirkungen haben, wenn sie punktförmig auf das Kochfeld treffen. Also z.B, keine Gewürzstreuer aus dem Oberschrank fallen lassen.

Schweres Geschirr nicht über das Kochfeld schieben, die Glaskeramik könnte zerkratzen.

Kochfeld und Topfboden vor dem Benutzen abwischen, um eventuell kratzende Verschmutzungen zu beseitigen.

Kochgeschirr, Bleche oder Alufolie nie direkt auf den Boden des Backofens stellen. Dadurch staut sich die Hitze und die Emaille des Backofens wird beschädigt.

Grillgut nicht zu weit nach hinten an das Ende des Heizkörpers legen. Dort ist es besonders heiß. Fett kann Feuer fangen.

Backofen nicht als Stauraum nutzen.

Keine scharfen Reinigungsmittel, Scheuermittel, Scheuerpulver, Backofenspray oder Stahlschwämme verwenden; sie können die Oberfläche beschädigen.

Keine Hochdruck- oder Dampfreiniger verwenden.

Feuerfestes Glasgeschirr eignet sich zwar auch für Kochstellen, ist aber ein schlechter Wärmeleiter. Bei größeren Glasgefäßen kann es auch zu Temperaturspannungen und Bruch kommen.

Temperaturwähler nicht mit Gewalt über die Endpositionen hinausdrehen.

Vor dem Reinigen Herd / Kochzonen vollständig abkühlen lassen.

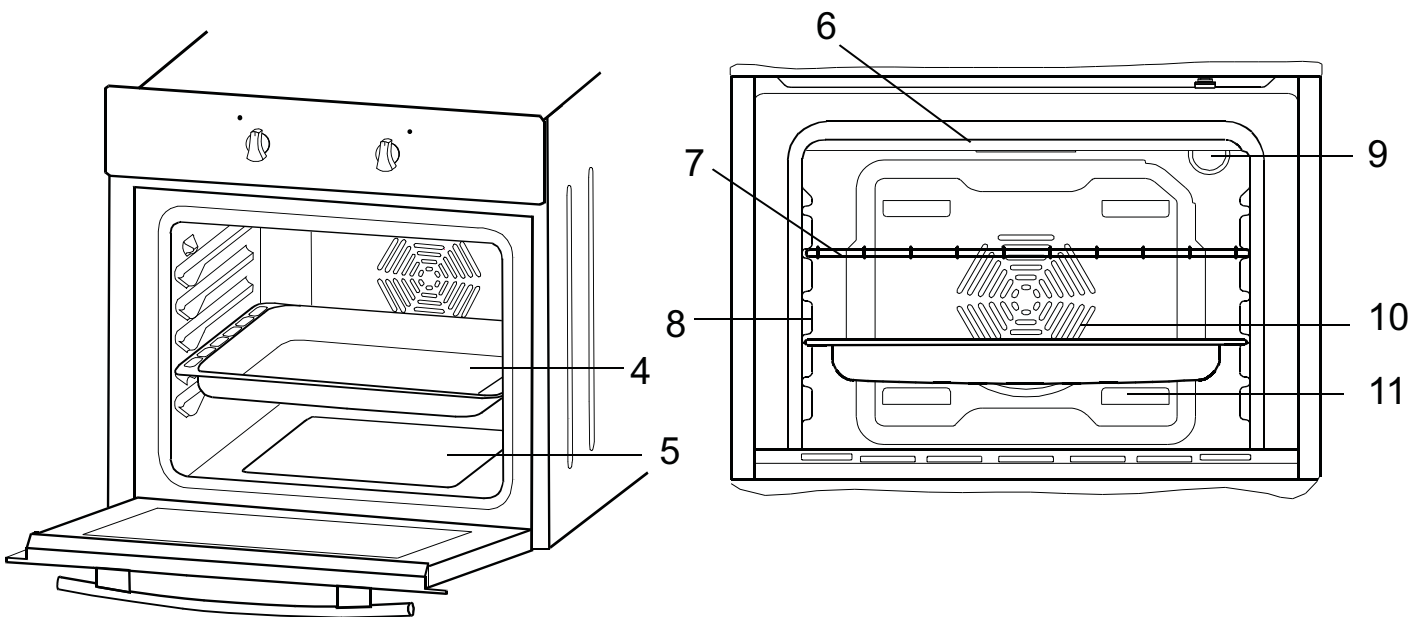
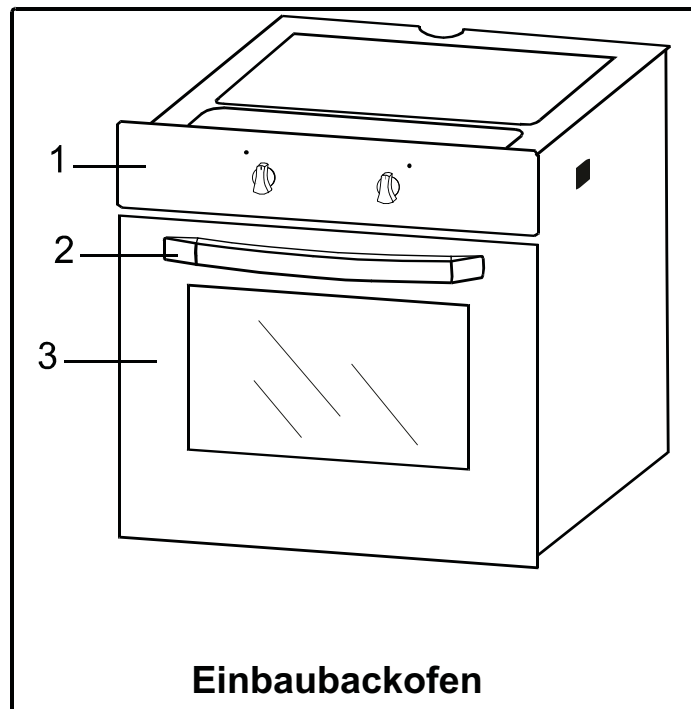
Backblechträger und eventuell eingebaute Teleskopschienen nicht im Geschirrspüler reinigen.

(Optional, falls zutreffend; Anm. d. Prüfers)

Für den automatischen Betrieb mit Schaltuhr beachten Sie unbedingt Folgendes:

- Alle Haushaltsangehörigen informieren, damit niemand etwas in den Backofen legt.
- Backofen überwachen, um Überlaufen und Anbrennen zu verhindern.
- Besondere Vorsicht beim Braten: Fett, Öl und Alkohol können sich entzünden.
- Niemand im Schaltuhr-Betrieb unbeaufsichtigt grillen!

TEIL 2: ERSCHEINUNGSBILD UND GRÖSSE DES PRODUKTS



KOMPONENTEN:

- 1- Bedienfeld
- 2- Ofentürgriff
- 3- Ofentür
- 4- Backblech
- 5- Unteres Heizelement (hinter der Platte)
- 6- Oberes Heizelement (hinter der Platte)
- 7- Grillrost
- 8- Einschübe
- 9- Ofenbeleuchtung
- 10- Turbomotor (hinter der Platte)
- 11- Luftauslässe

TEIL 3: VORBEREITUNGEN FÜR INSTALLATION UND GEBRAUCH

Dieser moderne, funktionale und praktische Ofen wurde mit Teilen und Materialien höchster Güte hergestellt und wird Ihre Ansprüche in jeder Hinsicht erfüllen. Vergessen Sie nicht, diese Anleitung aufmerksam durchzulesen, damit Sie gleich zu Anfang richtig und sicher mit dem Gerät arbeiten können und es auch in Zukunft nicht zu Problemen kommt. In den nachstehenden Informationen finden Sie bestimmte Regeln, die wichtig für richtige Aufstellung und Wartungsarbeiten sind. Diese Informationen sollten (insbesondere vom Installateur) mit besonderer Aufmerksamkeit gelesen werden.

Wenden Sie sich zur Installation Ihres Ofens an den autorisierten Kundendienst!

3.1 DER RICHTIGE PLATZ FÜR IHREN OFEN

Bei der Auswahl des richtigen Aufstellungsortes für Ihren Ofen müssen einige Punkte beachtet werden. Halten Sie sich in jedem Fall an unsere nachstehenden Empfehlungen, damit es später nicht zu Problemen oder gefährlichen Situationen kommt!

- Bei der Auswahl des richtigen Platzes für Ihren Ofen sollten Sie darauf achten, dass sich keine entflammbaren oder explosiven Materialien in nächster Nähe befinden; dies können Vorhänge, ölige Tücher und ähnliche Materialien sein, die schnell Feuer fangen.
- Die Ihren Ofen umgebenden Möbel müssen aus hitzebeständigen Materialien bestehen, die auch Temperaturen von mehr als 50 °C aushalten.
- In Abbildung 1 finden Sie eine Darstellung der erforderlichen Gegebenheiten oder Änderungen hinsichtlich Wandschränken und Abzugshauben sowie der nötigen Minimalabstände zum Ofen und seinen Flächen. Demzufolge sollte die Abzugshaube mit einem minimalen Abstand von 65 cm von der Oberfläche des Kochfeldes angebracht werden. Ohne Abzugshaube sollte ein Abstand von mindestens 70 cm eingehalten werden.

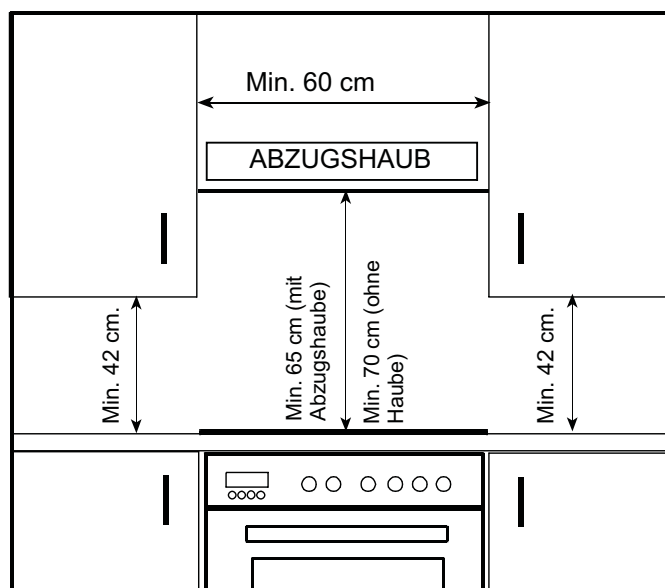
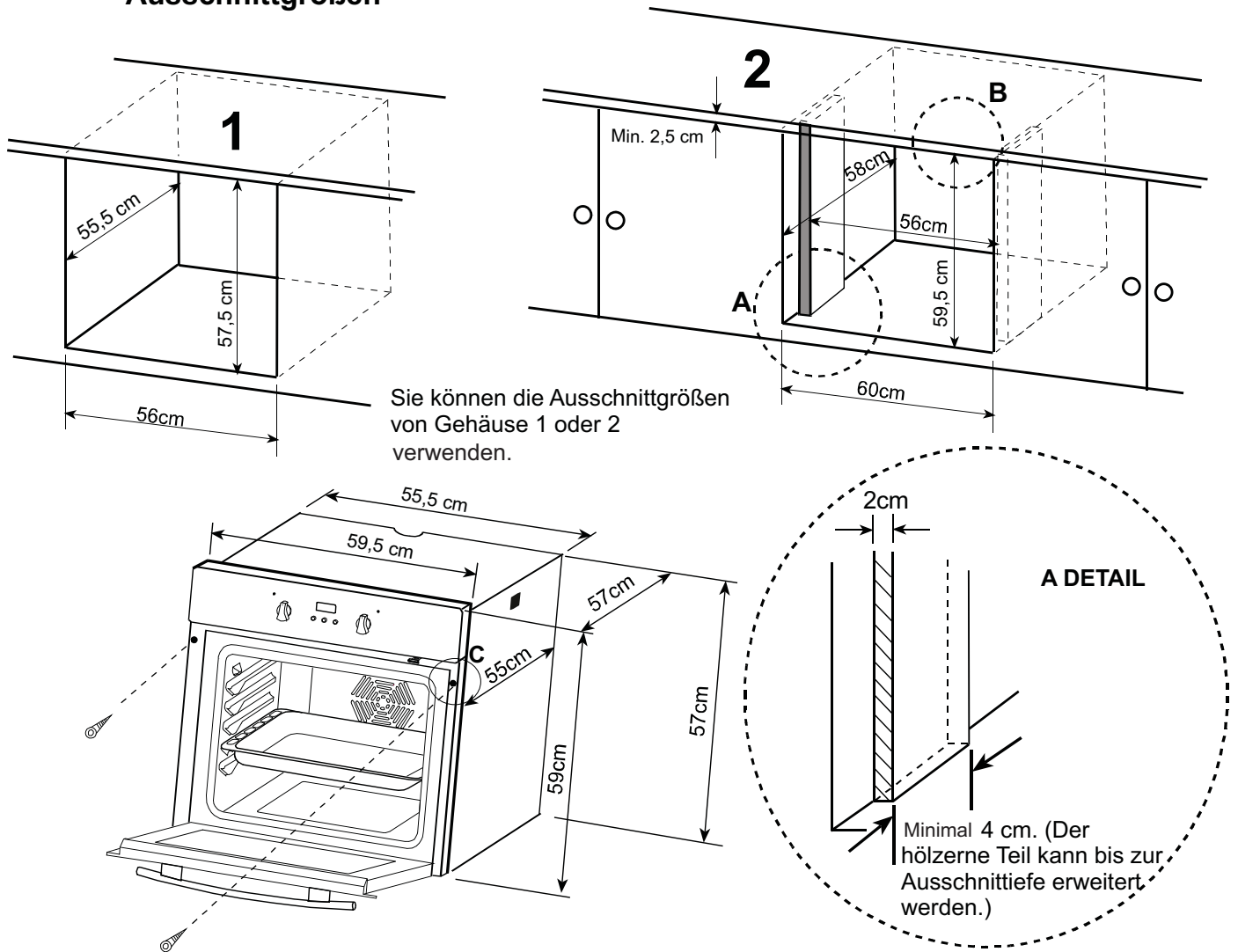


Abbildung 1

3.2 EINBAUOFEN INSTALLIEREN Ausschnittgrößen



Produktgrößen

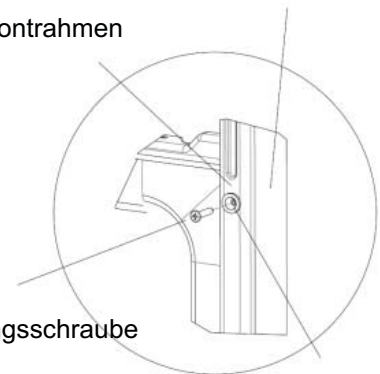
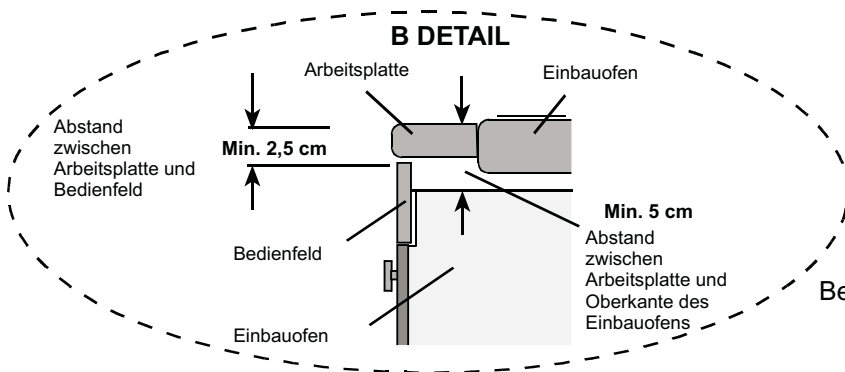
Befestigungsschrauben

Distanzstück

Frontrahmen

Befestigungsschraube

Holz



Bringen Sie den Herd in den Einbauschränk, indem Sie ihn nach vorne schieben. Öffnen Sie die Herdklappe und setzen Sie 2 Schrauben in die Bohrungen im Einbaurahmen des Herds ein. Archten Sie darauf, dass der Rahmen mit die Holzoberfläche des Einbauschranks in Kontakt steht und ziehen Sie die Schrauben fest.

Die Abmessungen des Gehäuses, in das der Ofen eingebaut wird, müssen absolut passen, das Material muss für höhere Temperaturen geeignet sein. Zur korrekten Installation darf das Produkt keine elektrischen oder isolierten Teile berühren. Isolierte Teile müssen so angebracht werden, dass sie auch mit Werkzeugen nicht entfernt werden können. Wir raten von der Installation des Gerätes in nächster Nähe zu Kühl- und Gefriergeräten ab. Andernfalls kann die Leistung dieser Geräte durch Abwärme des Produktes beeinträchtigt werden.

Nach dem Auspacken des Ofens überzeugen Sie sich davon, dass das Gerät unversehrt ist. Falls Sie eine Beschädigung des Gerätes vermuten, benutzen Sie es nicht. Wenden Sie sich unverzüglich an den autorisierten Kundendienst.

3.3 VERKABELUNG UND SICHERHEIT EINBAUBACKOFEN



Bei der Verkabelung müssen die nachstehenden Anweisungen exakt eingehalten werden:

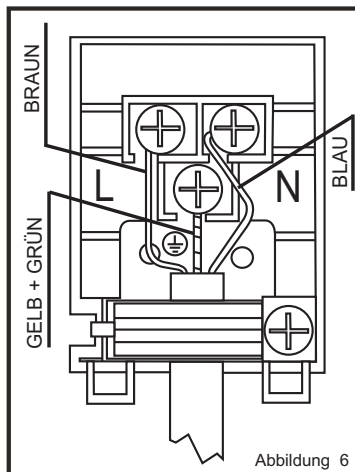
- Das Erdungskabel muss über der Schraube mit dem Erdungsanschluss (⊕) verbunden werden. Das Versorgungskabel muss, wie in Abbildung 6 gezeigt, angeschlossen werden. Falls kein geerdeter, den lokalen Normen entsprechender Stromanschluss, zur Verfügung stehen sollte, wenden Sie sich unverzüglich an den autorisierten Kundendienst.
- Die geerdete Steckdose muss sich in unmittelbarer Nähe des Gerätes befinden. Benutzen Sie niemals Verlängerungskabel.
- Das Versorgungskabel darf keine heißen Flächen des Produktes berühren.
- Bei jeglichen Beschädigungen des Versorgungskabels wenden Sie sich in jedem Fall an den autorisierten Kundendienst. Das Kabel muss vom autorisierten Kundendienst ausgetauscht werden.
- Die Verkabelung des Gerätes muss durch den autorisierten Kundendienst ausgeführt werden. Dazu müssen Zuführungskabel vom Typ H05W-F eingesetzt werden.
- Durch eine nicht ordnungsgemäße Verkabelung kann das Gerät beschädigt werden. Solche Schäden werden **nicht durch die Garantie abgedeckt**.



Der Hersteller übernimmt keine Haftung für jegliche Arten von Schäden oder Verlusten,

3.4 VERKABELUNG UND SICHERHEIT KOMBINIERTER EINBAUBACKOFEN:

Die Verkabelung des Gerätes muss durch den autorisierten Kundendienst ausgeführt werden. Das Gerät ist für eine Versorgungsspannung von 220 bis 240 V vorgesehen. Falls Ihre Netzspannung von diesen Werten abweichen sollte, wenden Sie sich unverzüglich an den autorisierten Kundendienst. Das Gerät muss, wie in Abbildung 7 gezeigt, angeschlossen werden. Das Gerät ist für eine Festverbindung mit der Stromversorgung vorgesehen. Eine Trenneinrichtung des Versorgungskreises über sämtliche Pole mit einem minimalen Kontaktabstand von 3mm muss installiert werden.

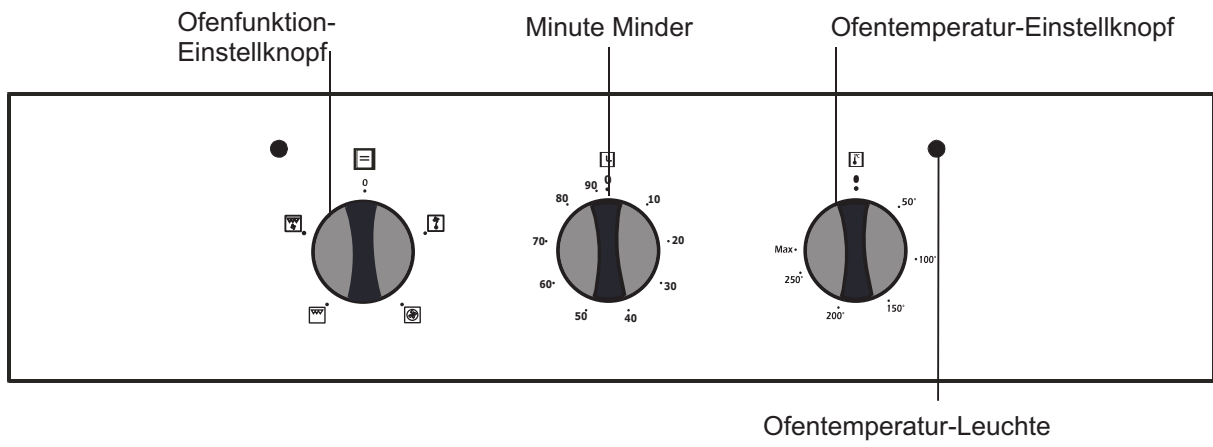


3.5 ALLGEMEINE WARN- UND SICHERHEITSHINWEISE:

- Ihr Gerät wurde gemäß den zutreffenden Sicherheitsvorschriften für Elektrogeräte hergestellt. Wartungs- und Reparaturarbeiten dürfen ausschließlich von autorisierten, vom Hersteller geschulten, Servicetechnikern durchgeführt werden. Installations- und Reparaturarbeiten, die unter Nichtbeachtung der relevanten Vorschriften ausgeführt werden, können große Gefahren bergen.
- Die Außenflächen erhitzen sich im Betrieb des Gerätes. Die Heizelemente im Inneren des Ofens und der austretende Dampf erhitzen sich besonders stark. Diese Bereiche bleiben auch längere Zeit nach dem Ausschalten des Gerätes sehr heiß. Berühren Sie niemals die heißen Oberflächen. Halten Sie Kinder fern.
- Lassen Sie das Gerät nie unbeaufsichtigt arbeiten, wenn Sie mit Fetten oder Ölen kochen. Bei Überhitzung können sich die Materialien spontan entzünden. Gießen Sie niemals Wasser in brennendes Öl. Zum Erstickten der Flammen legen Sie einen Deckel auf den Topf oder die Pfanne und schalten das Gerät sofort ab.
- Um Lebensmittel in Ihrem Ofen zuzubereiten, müssen Ofenfunktion und Temperatur eingestellt und der Ofentimer (sofern vorhanden) programmiert werden. Andernfalls arbeitet Ihr Ofen nicht.
- Legen Sie keinerlei Gegenstände auf die geöffnete Ofentür. Das Gerät kann im schlimmsten Fall umkippen, die Ofentür kann schwer beschädigt werden.
- Ziehen Sie den Netzstecker, wenn Sie das Gerät nicht benutzen.
- Schützen Sie Ihr Gerät vor Umwelteinflüssen. Schützen Sie das Gerät vor direkter Sonneneinstrahlung, Regen, Schnee, Staub oder ähnlichen Einflüssen.

TEIL 4: BEDIENUNG

4.1 BEDIENFELD:



4.2 BACKOFEN VERWENDEN

Ofenfunktion-Einstellknopf:

Mit diesem Einstellknopf wählen Sie die gewünschte Ofenfunktion (Abbildung 10). Entsprechende Erläuterungen finden Sie im nächsten Abschnitt und in Tabelle 1. Um mit dem Backofen zu arbeiten, müssen Sie die gewünschte Ofenfunktion auswählen und die passende Temperatur einstellen. Andernfalls wird der Backofen nicht beheizt.

Ofentemperatur-Einstellknopf:

Mit diesem Einstellknopf wählen Sie die gewünschte Ofentemperatur (Abbildung 11). Die Ofentemperatur wird immer gemeinsam mit der gewünschten Ofenfunktion eingestellt. Wenn die Temperatur im Inneren des Ofens die von Ihnen vorgegebene Temperatur erreicht, werden die Heizelemente vom Thermostat ausgeschaltet, die Ofentemperatur-Leuchte erlischt. Wenn die Temperatur unter den eingestellten Wert abfällt, schalten sich die Heizelemente wieder ein, die Ofentemperatur-Leuchte leuchtet auf.

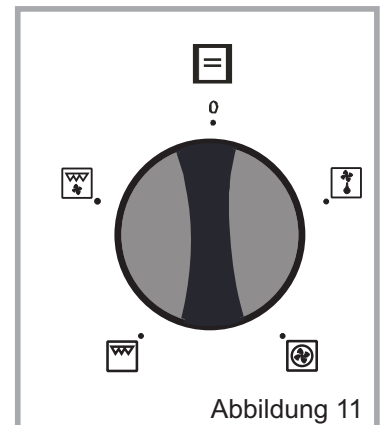


Abbildung 11

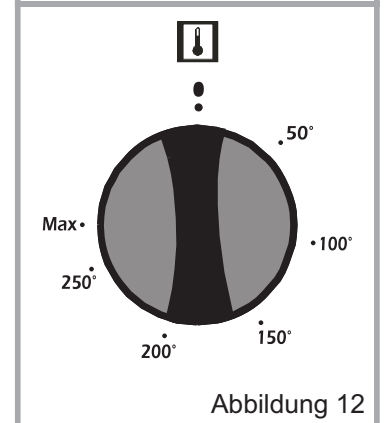






Abbildung 12



Tabelle 1

	Die Ofenbeleuchtung, die rote Warnleuchte und der Lüfter schalten sich ein. Zum Auftauen von gefrorenen Lebensmitteln.
	Ofenthermostat, Warnleuchten, Lüfter und Turbolüfter schalten sich ein.
	Ofenthermostat, Warnleuchten, Lüfter und Grill schalten sich ein.
	Ofenthermostat, Warnleuchten, Lüfter, oberes Heizelement, Grillelement und Röstfunktion schalten sich ein

Die Verfügbarkeit der beschriebenen Funktionen ist vom Produktmodell abhängig.



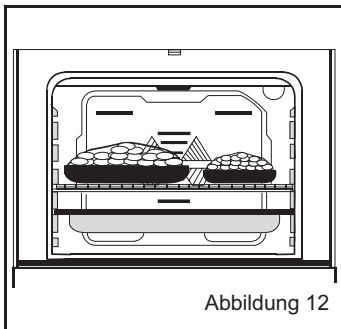


4.6 OFENFUNKTION-EINSTELLKNOPF VERWENDEN:

Je nach Modell sind eventuell nicht alle der nachstehend erklärten Funktionen verfügbar.



Auftauen-Funktion:



Legen Sie die aufzutauenden Lebensmittel in den Backofen und stellen Sie den Einstellknopf auf das abgebildete Symbol ein. Dabei werden die Lebensmittel nicht gekocht oder gebacken; sie werden lediglich in kurzer Zeit aufgetaut. Am besten legen Sie die aufzutauenden Lebensmittel auf das Grillrost, das Sie in der dritten Position von unten einschieben (Abbildung 12). Zum Auffangen des Schmelzwassers schieben Sie das Backblech in der unteren Position ein



Turbolüfter

Der Turbolüfter sorgt für eine gleichmäßige Wärmeverteilung im Ofen. Dadurch werden Lebensmittel auf sämtlichen Einschüben gleichmäßig gegart.

Stellen Sie den Ofentemperatur-Einstellknopf auf die gewünschte Temperatur ein. Stellen Sie den Ofenfunktion-Einstellknopf auf das Turbo-Symbol ein. Lassen Sie den Ofen 10 Minuten lang vorheizen, geben Sie dann das Gargut in den Ofen. Vergessen Sie nicht, dies in geeignete Behälter zu geben. Diese Funktion eignet sich zur Zubereitung mehrerer Gerichte auf einmal.

Wenn Sie mit zwei Einschüben gleichzeitig arbeiten möchten, wählen Sie die geringstmögliche für die jeweiligen Lebensmittel geeignete Temperatur. Orientieren Sie sich dabei an der Tabelle. Die Zubereitung mit zwei Einschüben gleichzeitig benötigt mehr Zeit als die Zubereitung mit nur einem Einschub. Gewöhnlich werden nicht beide Gerichte gleichzeitig fertig. Nehmen Sie daher den Einschub mit dem bereits fertig zubereiteten Gericht aus dem Ofen, während Sie den zweiten Einschub entsprechend länger im Ofen belassen.

Nach der Zubereitung schalten Sie Ofenfunktion- und Ofentemperatur-Einstellknopf ab und beenden den Timer (sofern vorhanden). Nehmen Sie die zubereiteten Lebensmittel aus dem Ofen, stellen Sie sie an einem sicheren Ort ab und lassen Sie den Ofen abkühlen, indem Sie die Ofentür geöffnet lassen. Da der Ofen eine Zeit lang heiß bleibt, halten Sie sich und besonders Kinder vom Ofen fern.



Grill Funktion:

Diese Funktion nutzen Sie für Grillgerichte. Grillgerichte geben Sie auf das Grillrost, das Sie auf der höchsten Position einschieben. Nachdem Sie das Backblech in der dritten Position von unten eingeschoben haben, beginnen Sie mit dem Grillen. Das auf der dritten Position von unten eingeschobene Backblech sorgt dafür, dass von den Lebensmitteln herabtropfendes Öl oder Fett aufgefangen wird.

Beim Grillen muss die Ofentür geschlossen bleiben, die Temperatur sollte auf 190°C eingestellt werden.

Stellen Sie den Temperatur-Einstellknopf auf die gewünschte Temperatur ein. Lassen Sie den Ofen 5 Minuten lang vorheizen, geben Sie die Lebensmittel anschließend in den Ofen.

Nach der Zubereitung schalten Sie Ofenfunktion- und Ofentemperatur-Einstellknopf ab und beenden den Timer (sofern vorhanden).




Grill und Umluft:

Bei dieser Funktion arbeiten Grill, oberes Heizelement und Umluft zusammen und sorgen für ein besonders gleichmäßiges Garen. Diese Funktion eignet sich auch zum schnelleren Grillen, zum Grillen größerer Mengen, zur Zubereitung von Grillhähnchen und für Fleischspieße. Grillgerichte geben Sie auf das Grillrost, das Sie auf der höchsten Position einschieben. Nachdem Sie das Backblech in der dritten Position von unten eingeschoben haben, beginnen Sie mit dem Grillen. Das auf der dritten Position von unten eingeschobene Backblech sorgt dafür, dass von den Lebensmitteln herabtropfendes Öl oder Fett aufgefangen wird. **Beim Grillen muss die Ofentür geschlossen bleiben, die Temperatur sollte auf 190 °C eingestellt werden.**

Stellen Sie den Temperatur-Einstellknopf auf die gewünschte Temperatur ein. Lassen Sie den Ofen 5 Minuten lang vorheizen, geben Sie die Lebensmittel anschließend in den Ofen.

Nach der Zubereitung schalten Sie Ofenfunktion- und Ofentemperatur-Einstellknopf ab und beenden den Timer (sofern vorhanden). Nehmen Sie die zubereiteten Lebensmittel aus dem Ofen, stellen Sie sie an einem sicheren Ort ab und lassen Sie den Ofen abkühlen, indem Sie die Ofentür geöffnet lassen. Da der Ofen eine Zeit lang heiß bleibt, halten Sie sich und besonders Kinder vom Ofen fern.



1. Drücken Sie die MODE-Taste, bis „stop“ in der Timer-Anzeige erscheint. Wenn „stop“ in der Timer-Anzeige erscheint, beginnt das Symbol (A) zu blinken. Stellen Sie nun die gewünschte, für Ihre Lebensmittel geeignete, Garzeit mit den Tasten +/- ein. Kurz nach dem Abschluss der Einstellung erscheint die Uhrzeit in der Anzeige, die Symbole (A) und  leuchten dauerhaft. (Abbildung 14)

 **Sie können Garzeiten zwischen 0 und 10 Stunden voreinstellen.**

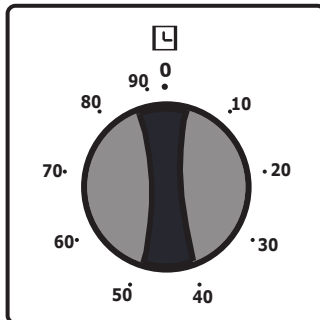
2. Drücken Sie die MODE-Taste, bis „end“ in der Timer-Anzeige erscheint. Wenn „end“ in der Timer-Anzeige erscheint, beginnen das Symbol (A) und die Uhrzeit mit aufaddierter Garzeit zu blinken. Stellen Sie nun die gewünschte Fertigstellungszeit mit den Tasten +/- ein. Kurz nach dem Abschluss der Einstellung erscheint die Uhrzeit in der Anzeige, das Symbol (A) leuchtet dauerhaft (Abbildung 15).

 **Bei dieser Funktion können Sie eine Gesamtzeit bis zu 23:59 Stunden nach der aktuellen Uhrzeit vorgeben.**

Zum Zeitpunkt, der sich durch Abziehen der Garzeit von der voreingestellten Fertigstellungszeit ergibt, beginnt der Ofen zu arbeiten und stoppt zur gewünschten Fertigstellungszeit. Ein Tonsignal erklingt, das Symbol (A) beginnt zu blinken. Zum Abschalten des Tonsignals bringen Sie Ofenfunktion- und Temperatureinstellknopf in die Position 0 und drücken eine beliebige Timer-Taste. Der Timer wird auf manuellen Betrieb umgeschaltet.



4.4. VERWENDUNG DES MECHANISCHEN ALARM-ZEITSCHALTERS



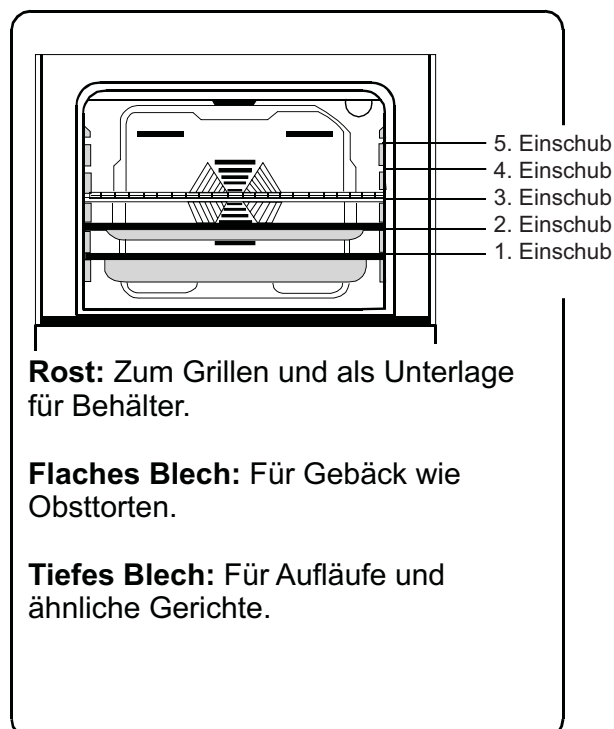
Stellen Sie die gewünschte Kochzeit ein, indem Sie den Schalter im Uhrzeigersinn drehen. Nach Ablauf der Garzeit gibt der Zeitschalter einen Signalton aus, der Herd läuft aber weiter. Um den Herd abzuschalten, müssen Sie den Schalter und den Thermostat des Herds in die geschlossene Stellung bringen.

GERICHTE	UNTER/OBERHITZE			UNTERER/OBERER VENTILATOR			GRILL		
	Thermostat Pos. (°C)	Einschub Pos.	Garzeit (min)	Thermostat Pos. (°C)	Einschub Pos.	Garzeit (min)	Thermostat Pos. (°C)	Einschub Pos.	Garzeit (min)
Schichtgebäck	170 - 190	1 - 2	35 - 45	170 - 190	1 - 2	25 - 35			
Kuchen	170 - 190	1 - 2	30 - 40	150 - 170	1 - 2 - 3	25 - 35			
Kekse	170 - 190	1 - 2	30 - 40	150 - 170	1 - 2 - 3	25 - 35			
Gegrillte Fleischklöße							200	4	10 - 15
Flüssigkeitsreiche Gerichte	175 - 200	2	40 - 50	175 - 200	2	40 - 50			
Hähnchen	200	1 - 2	45 - 60	200	1 - 2	45 - 60	200	4	50 - 60
Kotelett							200	3 - 4	15 - 25
Rindersteak							200	4	15 - 25
Kuchen, zwei Bleche									
Gebäck, zwei Bleche									

Im Ofen genutzte Zubehörteile:

Wir empfehlen, bei der Zubereitung von Speisen die in der Tabelle angegebenen Behälter zu verwenden. Zusätzlich zu den Einschüben, dem Rost und dem Drehspieß (allesamt mitgeliefert) können Sie auch handelsübliche Glasbehälter, Kuchenformen und sonstige Einschübe verwenden, die sich für Ihren Ofen eignen. Beachten Sie bitte grundsätzlich die Anweisungen und Informationen des Herstellers. Wenn Sie kleine Behälter verwenden, platzieren Sie diese exakt in der Mitte des Rostes. Die nachstehenden Hinweise gelten insbesondere für emaillierte Behälter.

Wenn Speisen das Blech nicht komplett ausfüllen, tiefgefroren in den Ofen gegeben werden oder Sie ein Blech zum Auffangen von Flüssigkeiten einsetzen, kann sich das Blech aufgrund der hohen Temperaturen verformen. Nach dem Abkühlen nimmt das Blech allerdings wieder seine ursprüngliche Form ein. Dies ist völlig normal und das Ergebnis unterschiedlicher Ausdehnung von Materialien bei hohen Temperaturen. Achten Sie darauf, dass sich Kochutensilien aus Glas nach der Zubereitung nicht schlagartig stark abkühlen. Setzen Sie solche Utensilien nicht auf kalte oder nasse Oberflächen. Sorgen Sie dafür, dass solche Gegenstände langsam abkühlen, indem Sie sie auf ein Tuch setzen. Andernfalls kann das Glas brechen. Wenn Sie Ihren Ofen zum Grillen einsetzen, schieben Sie am besten die Grillschale (eventuell mitgeliefert) unter. Auf diese Weise verhindern Sie Verschmutzungen Ihres Ofens durch spritzendes oder tropfendes Fett. Wenn Sie das Grillrost verwenden, schieben Sie ein Blech in der unteren Position ein, in dem sich tropfendes Fett sammeln kann. Geben Sie etwas Wasser hinzu; dies erleichtert die Reinigung. Beim Grillen benutzen Sie den vierten oder fünften Einschub und fetten das Rost etwas ein, damit nichts daran kleben bleibt.



TEIL 5: REINIGUNG UND WARTUNG IHRES OFENS

5.1 REINIGUNG

Bevor Sie Ihren Ofen reinigen, vergewissern Sie sich zunächst, dass sämtliche Bedienelemente abgeschaltet sind, der Ofen abgekühlt und der Netzstecker gezogen ist.

Benutzen Sie keine Reinigungsmittel, die Scheuermittel enthalten: Diese können die emaillierten und lackierten Teile Ihres Ofens beschädigen. **Verwenden Sie Creme- oder Flüssigreiniger ohne Scheuerzusätze.**

Benutzen Sie keinerlei ätzende Reiniger, Scheuermittel, Stahlwolle oder harte Gegenstände, damit die Oberflächen Ihres Gerätes nicht beschädigt werden. Überlaufende Lebensmittel und verschüttete Flüssigkeiten können sich in die Oberflächen Ihres Ofens einbrennen und Schäden an der Emaille verursachen. Wischen Sie verschüttete Flüssigkeiten sofort auf. Benutzen Sie keinerlei Dampfreiniger zum Reinigen des Ofens.

Ofen-Innenraum reinigen

Trennen Sie den Ofen vor dem Reinigen von der Stromversorgung. Der Ofen-Innenraum lässt sich am besten reinigen, wenn er noch etwas warm ist. Wischen Sie den Ofen nach jeder Benutzung mit einem weichen Tuch aus, das Sie mit etwas Seifenwasser angefeuchtet haben. Wischen Sie den Ofen anschließend mit einem feuchten Tuch aus, danach wischen Sie ihn trocken. Von Zeit zu Zeit sollten Sie den Ofen mit einem flüssigen Reinigungsmittel komplett reinigen. Benutzen Sie keine Trockenreiniger und keine Reinigungspulver. Bei Produkten mit katalytischen Emaillierahmen müssen Rückwand und Seitenwände des Ofen-Innenraums nicht gereinigt werden. Allerdings sollten diese nach einer bestimmten Zeit (abhängig von der Nutzung) ausgetauscht werden.

Kochfeld reinigen

Die Kochfelder sollten mit einem feuchten Tuch abgewischt werden. Edelstahlteile sollten lediglich mit Wasser abgewaschen und mit einem weichen Tuch oder Fensterleder getrocknet werden. Vertiefungen und Ecken lassen sich am besten mit einem flüssigen Reinigungsmittel oder etwas handwarmen Essig reinigen. Glasdeckel reinigen Sie mit heißem Wasser und einem rauen Tuch. Versuchen Sie, beim Reinigen auf starkes Reiben und Scheuern zu verzichten. Nötigenfalls können Sie flüssige Reinigungsmittel verwenden. Achten Sie auch darauf, den Glasdeckel nicht zu schließen, bis das Kochfeld komplett abgekühlt ist.

5.2 WARTUNG:

Ofenbeleuchtung austauschen

Wir empfehlen, diesen Arbeitsschritt dem autorisierten Kundendienst zu überlassen.

Trennen Sie den Ofen von der Stromversorgung und vergewissern Sie sich, dass er komplett abgekühlt ist. Entfernen Sie zunächst das Schutzglas, nehmen Sie dann das Leuchtmittel aus der Fassung. Setzen Sie ein neues, bis 300 °C beständiges Leuchtmittel in die Fassung ein; dieses Leuchtmittel erhalten Sie beim autorisierten Kundendienst. Setzen Sie dann das Schutzglas wieder auf.

Bitte lassen Sie Wartungsarbeiten nur von einem autorisierten Kundendienstmitarbeiter durchführen.

TEIL 6: SERVICE UND TRANSPORT

6.1 BEVOR SIE SICH AN DEN KUNDENDIENST WENDEN

Falls der Ofen nicht funktionieren sollte:

Der Ofen ist eventuell von der Stromversorgung getrennt oder ein Stromausfall ist eingetreten. Bei Modellen mit Timer ist eventuell eine falsche Uhrzeit eingestellt.

Falls sich der Ofen nicht aufheizen sollte:

Möglicherweise haben Sie vergessen, die Ofentemperatur einzustellen.

Falls die Ofenbeleuchtung nicht aufleuchten sollte:

Überprüfen Sie die Stromversorgung.
Vergewissern Sie sich, dass das Leuchtmittel nicht defekt ist. In diesem Fall tauschen Sie das Leuchtmittel nach Anleitung aus.

Probleme beim Garen (z. B. ungleichmäßige Erwärmung bei Oberhitze/Unterhitze):

Kontrollieren Sie, ob das Grillrost/Backblech in der richtigen Position eingeschoben, die richtige Garzeit eingehalten und die Temperatur richtig eingestellt wurde.

Falls nach wie vor Probleme mit Ihrem Produkt auftreten sollten, wenden Sie sich bitte an den Kundendienst.

6.2 HINWEISE ZUM TRANSPORT

Falls das Gerät transportiert werden muss:

Zum Transportieren des Gerätes benutzen Sie am besten das Original-Verpackungsmaterial. Halten Sie sich an die Transporthinweise auf der Verpackung.

Fixieren Sie die oberen Teile des Gerätes, Brenner, Köpfe und Geschirrhalter mit Klebeband am Kochfeld.

Legen Sie Papier zwischen Abdeckung und Kochfeld, decken Sie die Abdeckung ab und befestigen Sie sie mit Klebeband an den Seitenflächen des Ofens.

Schützen Sie das Glas der Ofentür mit Pappe oder Papier, damit das Glas beim Transport nicht durch Grillrost, Backblech oder ähnliche Gegenstände beschädigt wird.

Befestigen Sie sämtliche weiteren losen Gegenstände mit Klebeband an den Seitenwänden des Gerätes.

Falls die Originalverpackung nicht mehr greifbar sein sollte:

Schützen Sie die Außenflächen (Glas und lackierte Flächen) des Ofens vor möglichen Stößen.



Das Symbol auf dem Produkt oder seiner Verpackung weist darauf hin, dass dieses Produkt nicht als normaler Haushaltsabfall zu behandeln ist, sondern an einem Sammelpunkt für das Recycling von elektrischen und elektronischen Geräten abgegeben werden muss. Durch Ihren Beitrag zum korrekten Entsorgen dieses Produkts schützen Sie die Umwelt und die Gesundheit Ihrer Mitmenschen. Umwelt und Gesundheit werden durch falsches Entsorgen gefährdet. Weitere Informationen über das Recycling dieses Produkts erhalten Sie von Ihrem Rathaus, Ihrer Müllabfuhr oder dem Geschäft, in dem Sie das Produkt gekauft haben.